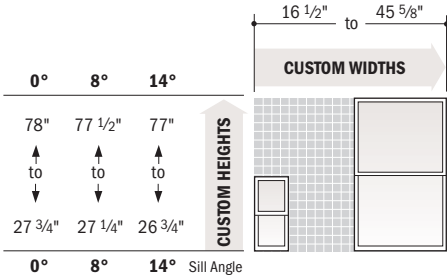


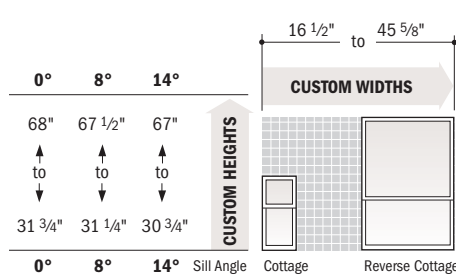
# WOODWRIGHT® DOUBLE-HUNG INSERT WINDOWS

## Woodwright® Insert Window Size Ranges

### Double-Hung - Equal Sash



### Double-Hung - Cottage & Reverse Cottage Sash

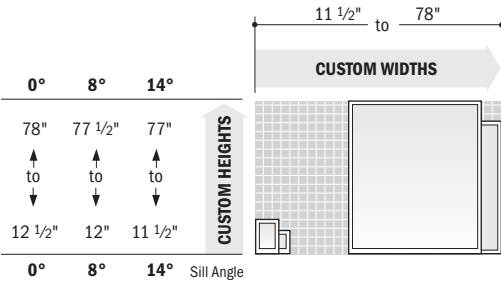


Available in 1/8" increments.

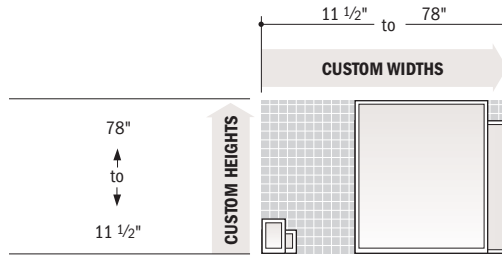
Height limits for double-hung and picture insert windows depend on new insert window sill angle.

**For picture and transom insert windows, either height or width must be 68" or less and height plus width cannot be less than 28".**

### Picture



### Transom



## Woodwright® Double-Hung Insert Window Opening Specifications

	<b>Clear Opening Width = Window Width minus 3 7/16"</b>				
	<b>Clear Opening Height</b> depends on the sash ratio and the specific sill angle of the insert window.				
	<b>Sash Ratio</b>	<b>Clear Opening Height</b>	<b>Sill Angle Deductions</b>		
			<b>14°</b>	<b>8°</b>	<b>0°</b>
	Equal Sash	$\left(\frac{\text{Window Height}}{2}\right) \text{ minus Sill Angle Deduction}$	3 3/16"	3 7/16"	3 3/4"
Cottage (2:3 ratio)	$\left(\frac{\text{Window Height} \times 2}{5}\right) \text{ minus Sill Angle Deduction}$	2 7/8"	3 1/16"	3 1/4"	
Reverse Cottage (3:2 ratio)	$\left(\frac{\text{Window Height} \times 2}{5}\right) \text{ minus Sill Angle Deduction}$	2 3/8"	2 9/16"	2 13/16"	

**Optional Estate™ hardware will reduce clear opening height and vent opening height by 7/32".**

	<b>Vent Opening Width = Window Width minus 3 7/16"</b>				
	<b>Vent Opening Height</b> depends on the sash ratio and the specific sill angle of the insert window.				
	<b>Sash Ratio</b>	<b>Vent Opening Height</b>	<b>Sill Angle Deductions</b>		
			<b>14°</b>	<b>8°</b>	<b>0°</b>
	Equal Sash	$\left(\frac{\text{Window Height}}{2}\right) \text{ minus Sill Angle Deduction}^*$	2 3/4"	2 15/16"	3 1/4"
Cottage (2:3 ratio)	$\left(\frac{\text{Window Height} \times 2}{5}\right) \text{ minus Sill Angle Deduction}^*$	1 15/16"	2 1/8"	2 3/8"	
Reverse Cottage (3:2 ratio)	$\left(\frac{\text{Window Height} \times 2}{5}\right) \text{ minus Sill Angle Deduction}^*$	3 9/16"	3 13/16"	4 13/16"	

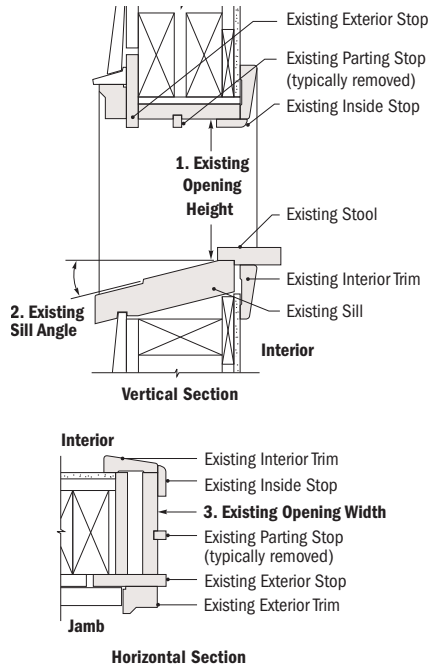
\* If window is under 48" in height subtract 6 1/2". If window is 48" or greater in height subtract 11 1/2".

	<b>Unobstructed Glass Width = Window Width minus 6"</b>				
	<b>Unobstructed Glass Height</b> depends on the sash ratio and the specific sill angle of the insert window.				
	<b>Sash Ratio</b>	<b>Visible Glass Height</b>	<b>Sill Angle Deductions</b>		
			<b>14°</b>	<b>8°</b>	<b>0°</b>
	Equal Sash (total)	Window Height minus Sill Angle Deduction	7 7/8"	8 3/8"	9"
Cottage - upper sash (2:3 ratio) Reverse Cottage - lower sash (3:2 ratio)	$\left(\frac{\text{Window Height} \times 2}{5}\right) \text{ minus Sill Angle Deduction}$	3 3/16"	3 3/8"	3 5/8"	
Cottage - lower sash (2:3 ratio) Reverse Cottage - lower sash (3:2 ratio)	$\left(\frac{\text{Window Height} \times 3}{5}\right) \text{ minus Sill Angle Deduction}$	4 3/4"	5 1/16"	5 7/16"	

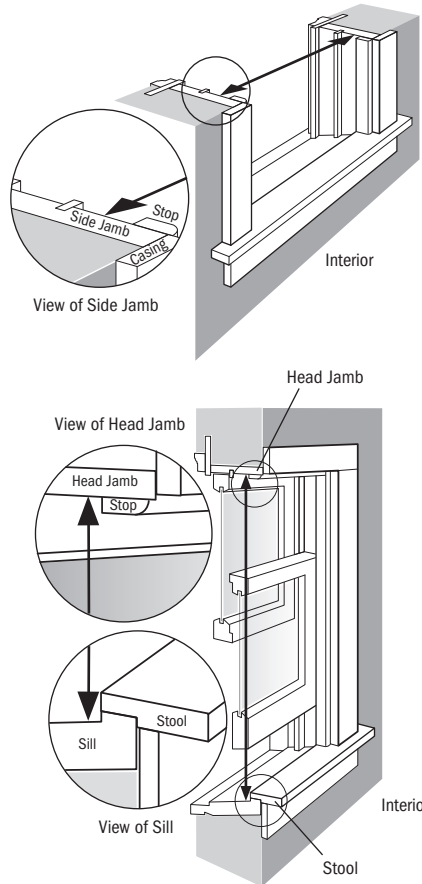
**Existing Window Measurement**

Required measurements:

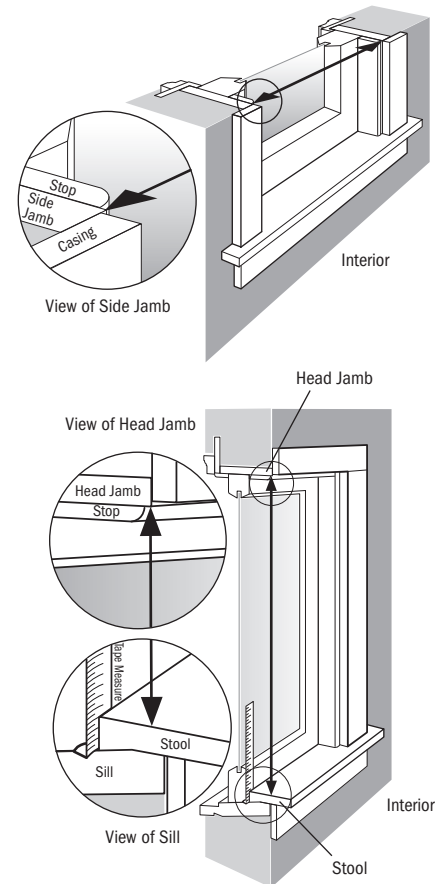
1. Existing Opening Height
2. Existing Sill Angle
3. Existing Opening Width



**Existing Double-Hung Window**

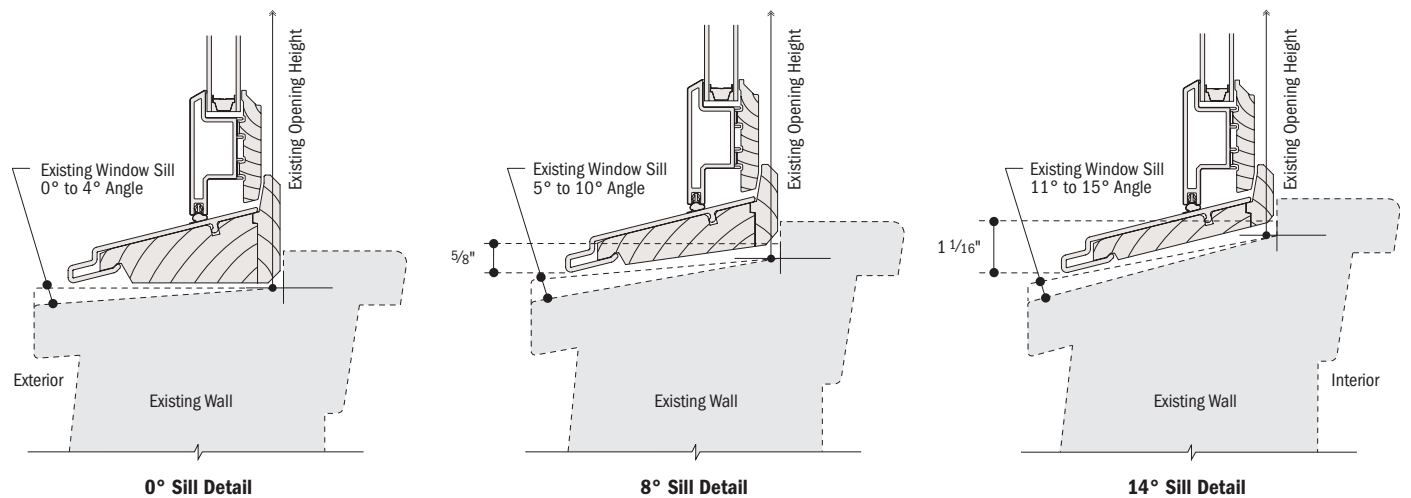


**Existing Picture Window**



**Sill Angle Details**

Select a sill angle that most closely matches your existing sill angle.  
Windows with a smaller sill angle will have a larger maximum height.



• Details are for illustration only and are not intended to represent product installation methods or materials. Refer to product installation guides at [andersenwindows.com](http://andersenwindows.com).